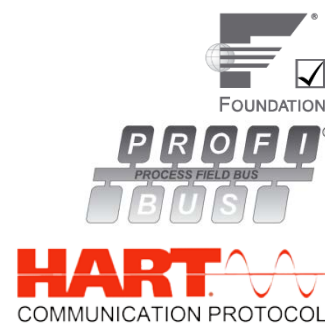




Series EF Plastic Float Flow Meter

- Liquid and gas flow measurement
- High quality, low purchase costs
- High corrosion and mechanical resistance
- Reliable measuring principle with no power supply
- Lightweight, small dimensions
- Low pressure loss
- 4-20 mA output, instantaneous flow rate, total volume



Use

Series EF flow meters are used to measure the instantaneous fluid flow rate. The measuring ranges have been selected to meet our customers' requirements. With welded, bonded, threaded or flanged connections to plastic pipe-lines, these flow meters can be used for a wide range of applications and media.

Technical data

Operating fluid temperature	-10 to 65 ° C
Max. operating pressure (without pressure surges)	0.6 MPa
Scale accuracy	4; 2.5; 1.6%
Connection type	welding, bonding, thread, flange

Installation / Operation / Maintenance

Use the flow meter in the vertical working position with a bottom fluid inlet. The current flow rate is read on the scale at the float's upper edge. Operating or servicing the flow meter is limited to checking for leaks and cleaning the measuring tube. When using the flow meter (especially with aggressive media), protect your face. Avoid pressure surges that could cause a severe float impact against the top stop. Before connecting the flow meter, flush the pipe-line.

Measuring Ranges

Type	DN	Measuring range l / hr		Thread	
		Water + 15 ° C	Air + 20 ° C; 101.3 kPa	External	Internal
EF 1	15	10-100	290-2 900	1/2 "BSP / NPT	1/2 "BSP / NPT
		16-160	464-4 640		
		25-250	725-7 250		
		40-400	1160 - 11600		
		60-600	1740 - 17400		
EF 2	25	100-1 000	2 900 - 29 000	3/4" BSP / NPT	3/4 "BSP / NPT
		160-1 600	4 640 - 46 400		
		250-2 500	7 250 - 72 500		
EF 3	50	400 - 4000	11 600-116 000	1 1/2 "BSP NPT	1 1/2 "BSP / NPT
		600 - 6 000	17 400-174 000		
		1 000 - 10 000	29 000-290 000		
		1 600 to 16 000	46 400-464 000		
EF 4	65	5 000 - 25000	145 000-725 000	2" BSP / NPT	2 "BSP / NPT
		8 000 - 40 000	232 000-1 160 000		
		12 000 - 60 000	348 000 - 1 740 000		
EF 5	100	14 000 - 90 000	406 000 - 2 610 000	Flange	Flange
		16 000 - 120 000	464 000 - 3 480 000		

These ranges can be adjusted for other liquids and gases

Accessories

The flow meters can be equipped with the following flow sensors:

Limit contacts:

Type SP1 - min., remaining permanently closed when reaching the minimum level

Type SP2 - max., remaining permanently closed when reaching the maximum level

Maximum current: 0.4 ADC

Maximum voltage: 60 VDC

Maximum switching power: 10 W

Operating temperature: 0-60 ° C

Enclosure protection: IP 44

Continuous sensing:

Type SP4

Accuracy: 2%

Output: 4 to 20 mA

HART

FF, Modbus

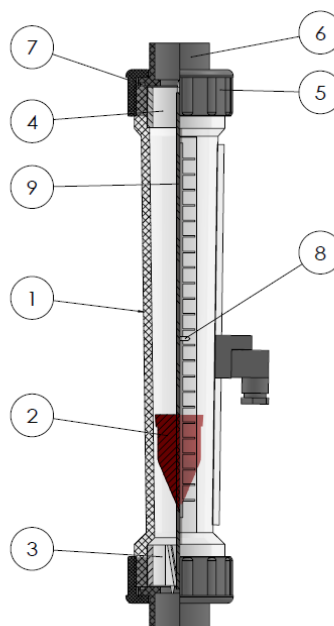
Power supply: 8 to 36 VDC

Accessories: display unit, flow volume meter

See separate datasheets.

EF1 - EF4 flow meters with a threaded, welded or bonded connection

- 1 - tube
- 2 - float
- 3 - lower stop
- 4 - upper stop
- 5 - sleeve nut
- 6 - connection
- 7 - O-ring
- 8 - indicator
- 9 - scale

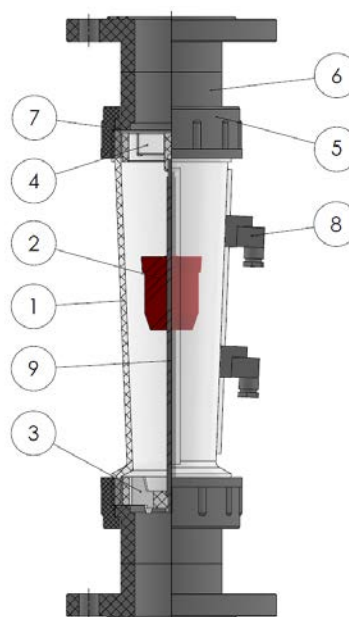


1	2	3	4	5	6	7	8
AS	ABS	ABS	ABS	ABS	ABS	EPDM	ABS

Other materials on request (PVDF, PVC, UPVC, PC, PSU, PMMA)

EF 5 flow meter with a flange

- 1 - tube
- 2 - float
- 3 - lower stop
- 4 - upper stop
- 5 - sleeve nut
- 6 - flange
- 7 - O-ring
- 8 - switch
- 9 - scale



1	2	3	4	5	6	7	8
AS	ABS	ABS	ABS	ABS	ABS	EPDM	ABS

Other materials on request (PVDF, PVC, UPVC, PC, PSU, PMMA)

Mating dimensions

Type	mm				
	L	L1	D1	D2	D3
EF1	280	21	20	26	45
EF2	380	23	32	39	68
EF3	430	41	63	73	98
EF4	430	43	75	88	122

Type	mm			
	L	D1	B1	B2
EF5	525	64	145	185

The mating dimensions can be customized.

