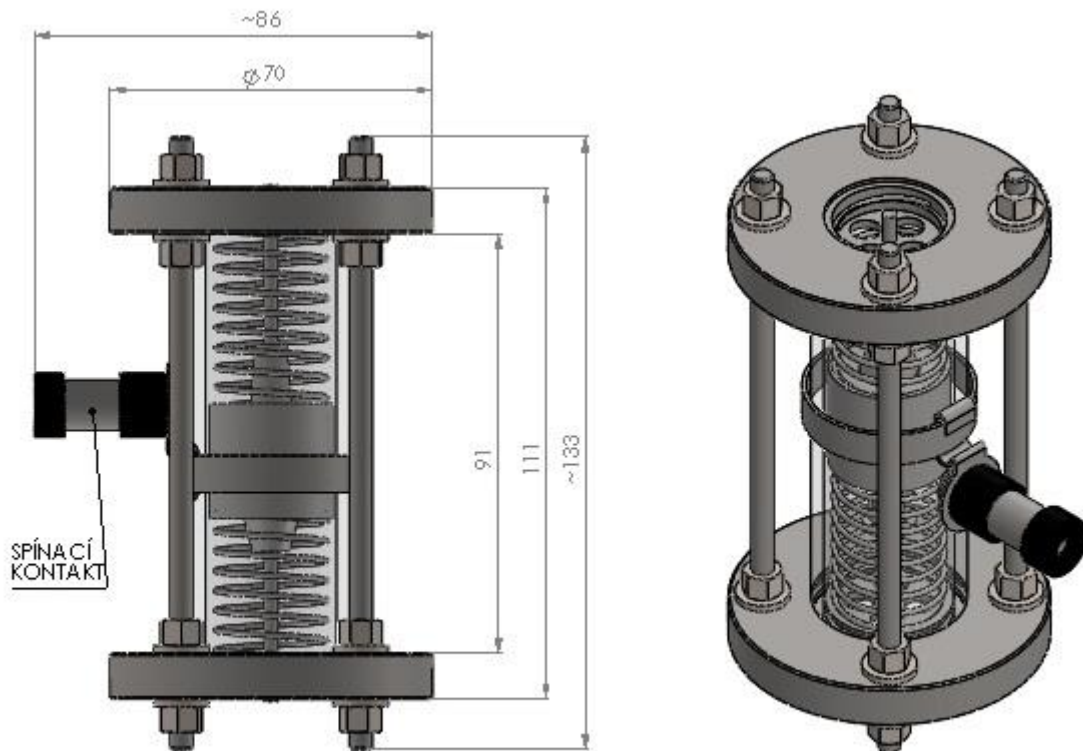


## VEP Flow Meter

The VEP flow meter has been designed to monitor and measure liquid flow in both directions. Its piston is actuated by the flowing liquid. This flow meter may also be fitted with a sensor. The sensor's switching point is adjustable according to the required flow rate. The switching contact is closed if the flow rate is above the selected value.



### Features

- low pressure loss
- easy switch-point adjustment
- easy installation
- arbitrary working position
- optional 4 – 20 mA output
- bidirectional measurement
- protective foil

<u>Model</u>	<u>Flow Rate</u>
<b>VEP 1050</b>	5 to 50 l/min
<b>VEP 1080</b>	8 to 80 l/min
<b>VEP 1100</b>	10 to 100 l/min
<b>VEP 1200</b>	20 to 200 l/min
<b>VEP 1300</b>	30 to 300 l/min
<b>VEP 1400</b>	40 to 400 l/min

VEP 1500 50 to 500 l/min

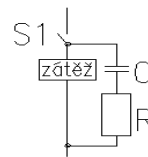
When placing an order, state the working position and the flow direction from the operator's point of view.

**Specification of the switching contact:**

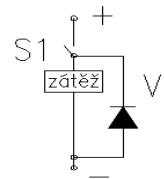
<b>Maximum temperature:</b>	<b>120 °C</b>
<b>Maximum pressure:</b>	<b>16 bar</b>
<b>Accuracy:</b>	<b>±10%</b>
<b>Hysteresis:</b>	<b>10%</b>
<b>Ingress protection:</b>	<b>IP 65</b>
<b>Maximum current:</b>	<b>0.5 A</b>
<b>Maximum voltage:</b>	<b>60 V</b>
<b>Maximum input power:</b>	<b>30 W</b>

Doporučená ochrana kontaktu při indukční zátěži

U~VAC



U=VDC



při indukční nebo odporové zátěži

= Horizontal working position

⊥ Vertical working position

U~VAC nebo U=VDC

