

EZ Plastic Float Flowmeters with Control Valves

- Quality design
- High corrosion resistance
- A reliable measurement principle
- Low weight and small dimensions

Use

Model EZ flowmeters have been designed to measure the instantaneous flow of liquids and gases. The flow rate is read right on the flowmeter scale. The measurement ranges have been adjusted to meet the customers' requirements. These flowmeters can be used for a wide range of applications and different fluids, being fitted with brass or stainless steel needle valves and threaded rear connections.

Technical data

Water (20°C)	min. 6 l/hr; max. 1,000 l/hr
Air (101.3 kPa abs, 20°C)	min. 0.1 l/hr; max. 70 l/hr
Accuracy	2.5 %, 4 %
Max. pressure; max. temperature	0.6 MPa g; 60 °C
Material (parts in contact with the medium)	PMMA, EPDM, brass, stainless steel
Connection	rear connection thread
Mounting position	vertical, bottom inlet
Building height	94 to 120 mm
Other parameters on request	

Installation, operation and maintenance

The flowmeter is to be mounted in the vertical working position (bottom inlet). Before connecting the flowmeter, the piping has to be flushed.

Operation/maintenance is limited to checking for leaks and cleaning the measuring tube. When using the flowmeter with aggressive media or at higher pressures, protect your face with a shield. Avoid pressure surges that might shoot the float up to the upper stop.

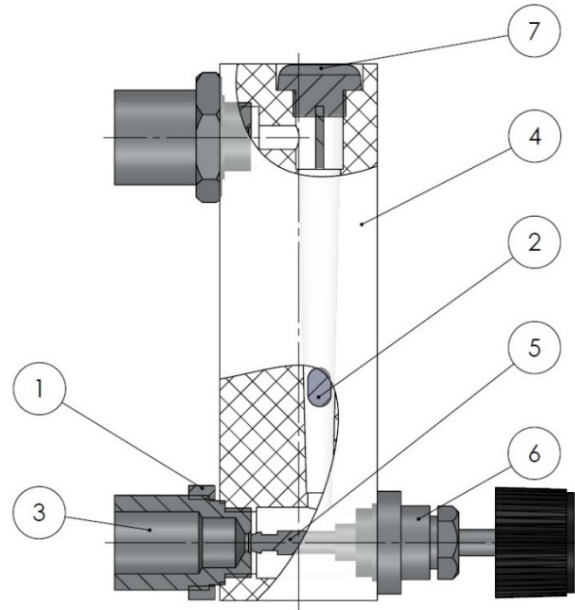
Measurement ranges

Type	Measurement range	
	ml/min (water)	l/min (air)
EZ1	6 – 60	0.1 – 1
	8 – 80	0.2 – 2
	40 – 400	0.25 – 2.5
		1 – 10
		1 – 12
EZ2	6 – 60	0.1 – 0.8
	16 – 160	1 – 12
	100 – 500	5 – 25
	200 – 800	20 – 70
EZ3	25 – 250	0.4 – 4
EZ4	2.5 – 25	0.16 – 16
	5 – 45	0.1 – 1
	6 – 60	0.2 – 2
EZ5	120 – 1,200	3 - 35
EZ6	80 - 800	2 - 20

EZ7	100 – 1,000	3 - 30
EZ8	150 – 1,500	5 - 50

Flowmeter description

- 1 – Nut
- 2 – Float
- 3 – Connection
- 4 – Tube
- 5 – Control valve needle
- 6 – Control valve
- 7 – Upper float stop



Flowmeter dimensions

Type	Dimensions in mm					
	A	B	C	D	E	F
EZ1	94	27	21	14	M18x1.5	70
EZ2	102	30	25	20	M18x1.5	77
EZ3	120	29	29	28	M18x1.5	90
EZ4	110	25	25	20	M18x1.5	80
EZ5	102	30	25	20	M18x1.5	77
EZ6	102	30	25	20	M18x1.5	77
EZ7	102	30	25	20	M18x1.5	77
EZ8	102	30	25	20	M18x1.5	77

The process connection (E) can be adjusted according to the customers' requirements.

